

Spearhead

MP2 MK2 Flail Head 1.2M



Edition 1.2 - December 2011
Part No. 8999061

PARTS MANUAL

Spearhead MP 2 Flail Head

Contents

Ordering your parts	3
Direct Drive Cowl	4
Belt Drive Cowl	5
Front Hood	6
Roller	7
Drive Assembly Belt Drive	8
Drive Assembly Direct Drive	10
LP Motor	11
HP Motor	12
Pulley Support	13
Guarding Direct Drive with Hydraulic Roller	14
Guarding Belt Direct Drive with Hydraulic Roller	15
Belt Drive Guard	16
Direct Drive Guard	17
Hose Kit`	18
Hydraulic Roller Valve	19
Hydraulic Roller Kit	20
Hydraulic Roller Hoses	21
Rear Flap	22
Side Skid Kit	23
T Flail Rotor Assembly	24
C Flail Rotor Assembly	25
Boot Flail Rotor Assembly	26
Back To Back Flail Rotor Assembly	27
Stickers	28

Spearhead MP 2 Flail Head

Ordering Your Part's

When ordering parts please refer to your parts list to help your dealer with your order.

Part number and quantity
Description
Machine model number
Serial number of the machine
Delivery instructions (e.g. next day).

Delivery is normally via carrier direct to your dealer. Please check with your dealer for stock availability and arrangement of dispatch. Ensure you or your dealer has sufficient cover for parts required outside factory hours.

When ordering your seal kits please quote both codes stamped on the base of the cylinder.

Important Note

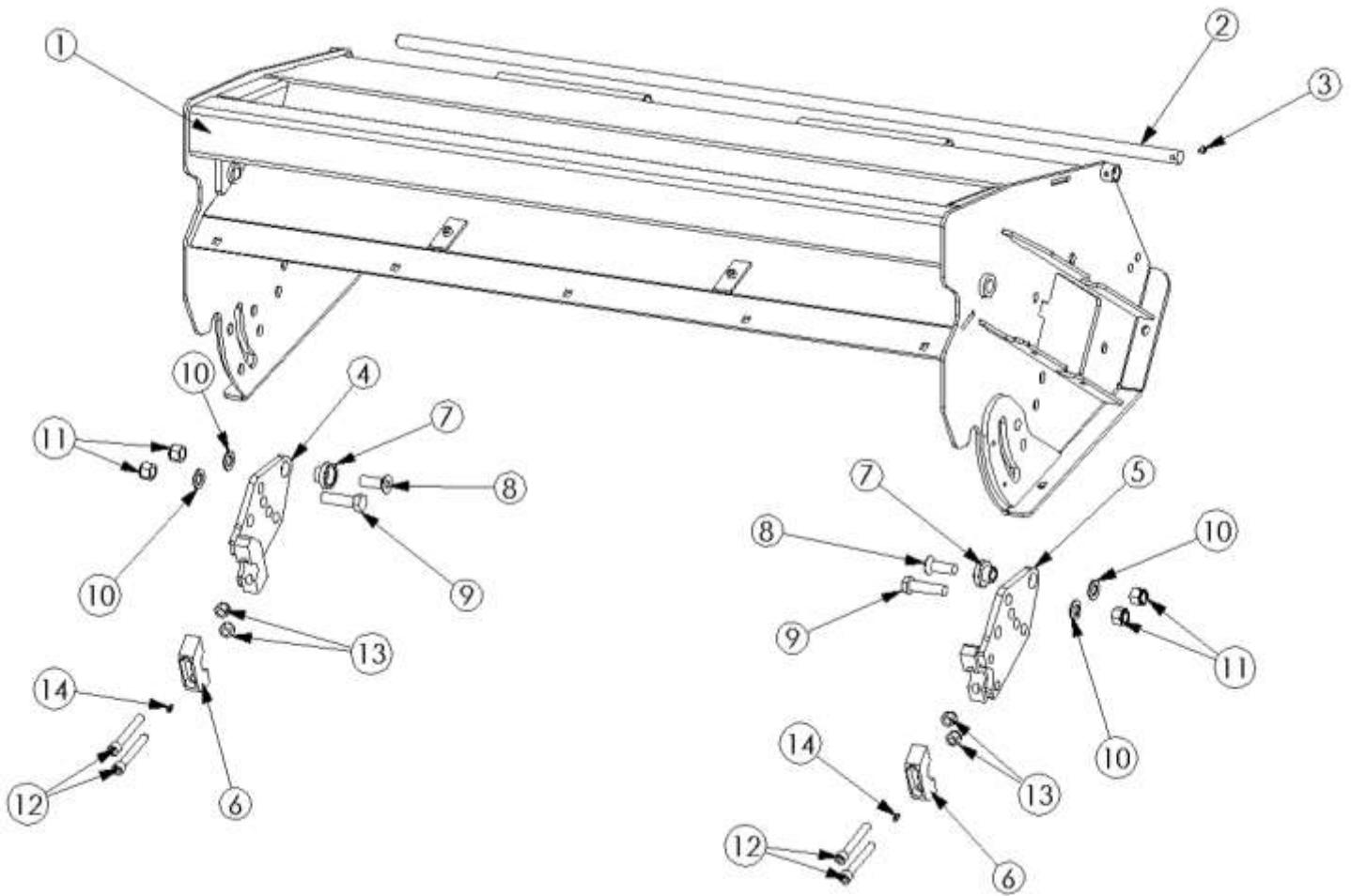
The information contained in this manual is correct at the time of publication. However, in the course of constant development, changes in specification are inevitable. Should you find the information given in this book different to the machine it relates to, please contact the "After Sales Department" for advice.

Key:

(LH) = Left hand
(RH) = *Right hand*
(LP) = Low pressure hydraulics
(HP) = High pressure hydraulics

Spearhead MP 2 Flail Head

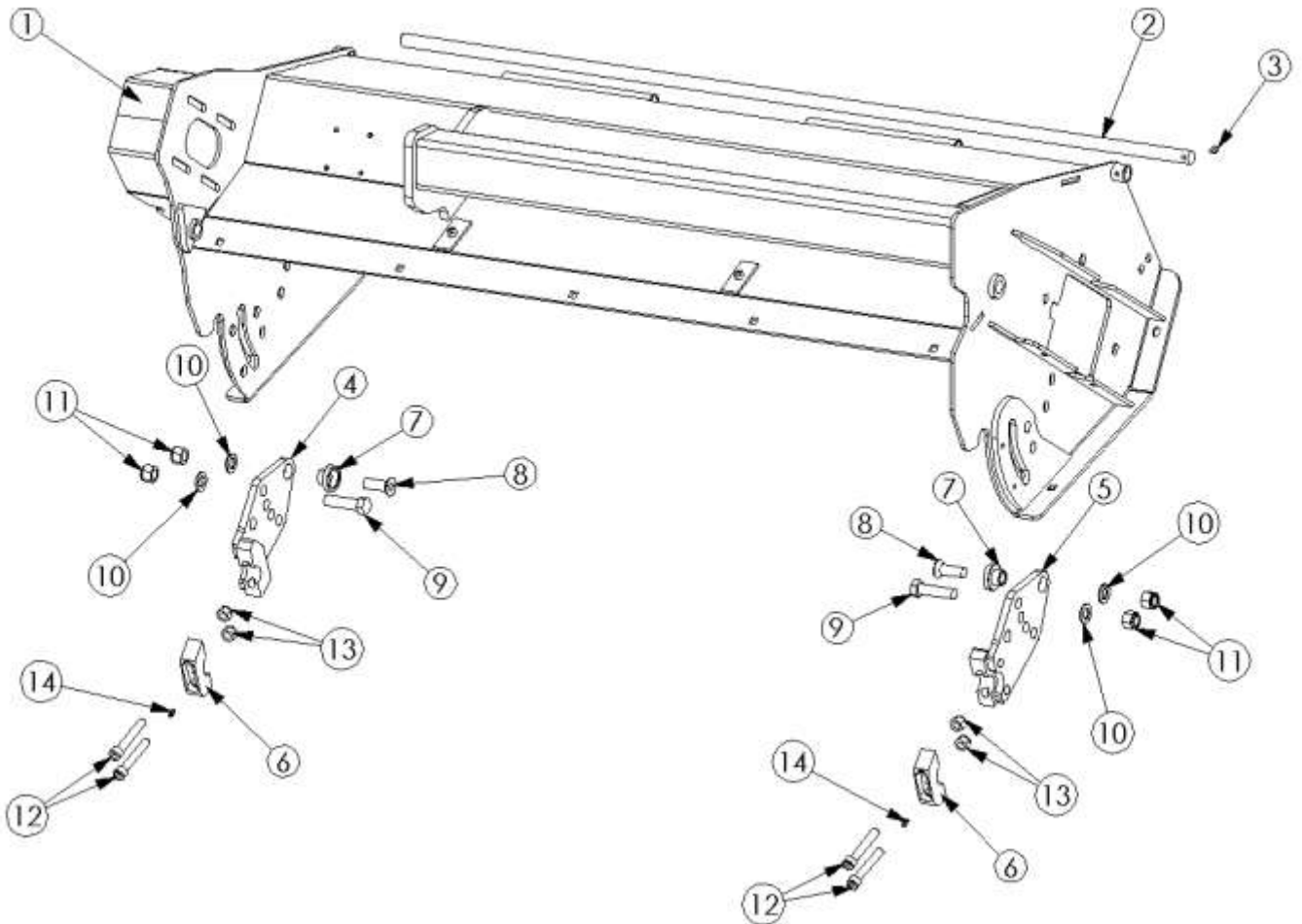
I.2M DIRECT DRIVE COWL - 5180016.65



REF.	PART NO.	DESCRIPTION.	QTY.
1	180093	COWL	1
2	1800194	HINGE BAR	1
3	05.969.02	SCREW	1
4	180138	LH ROLLER PLATE	1
5	180139	RH ROLLER PLATE	1
6	040000D	ROLLER CLAMP PLATE	2
7	180142	ROLLER PLATE BUSH	2
8	2770534	M16 X 55 CSK SKT BOLT	2
9	2770423	M16 X 60 BOLT	2
10	2770454	M16 FLAT WASHER	4
11	2770447	M16 NYLOCK	4
12	2770347	M12 X 80 SKT BOLT	4
13	2770417	M12 NYLOC	4
14	2770467	M6 GREASE NIPPLE	2

Spearhead MP 2 Flail Head

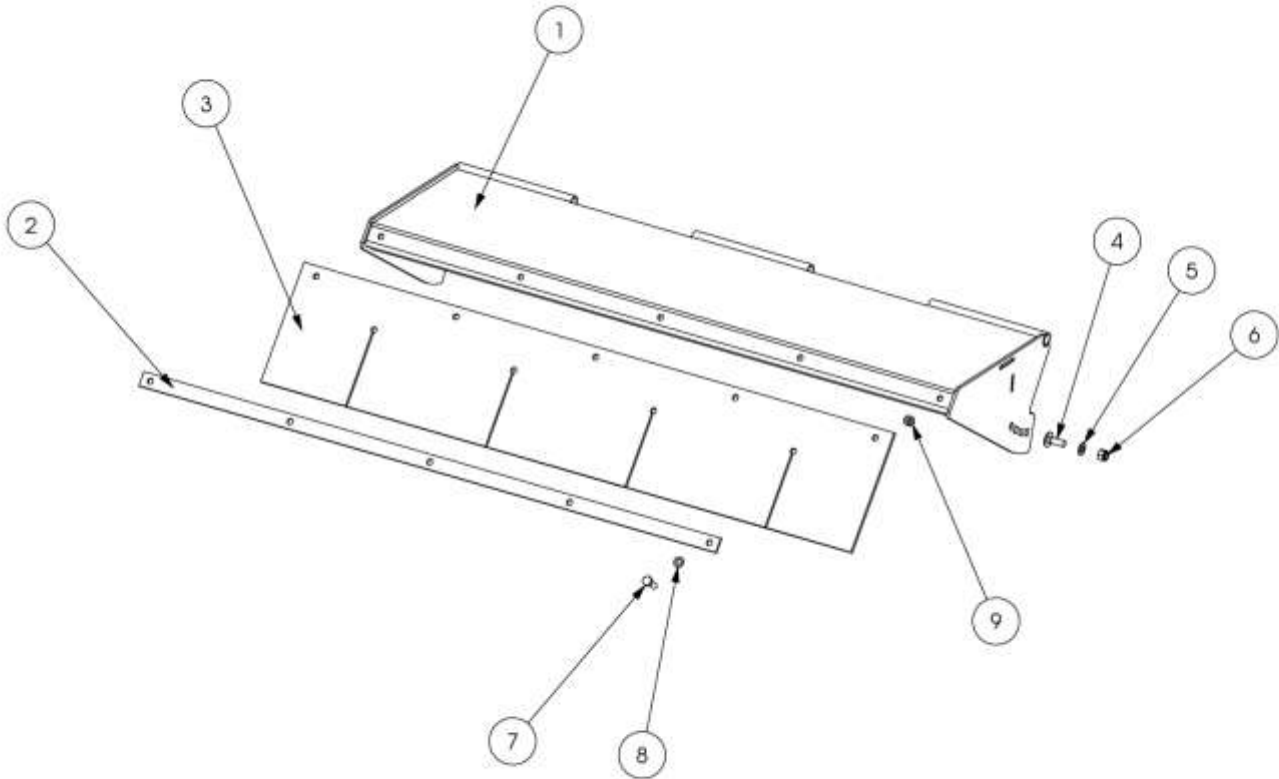
1.2M LH BELT DRIVE COWL - SI80016.66
 1.2M RH BELT DRIVE COWL - SI80016.67



REF.	PART NO.	DESCRIPTION.	QTY.
1	180095	COWL LH	1
1	180096	COWL RH	1
2	1800194	HINGE BAR	1
3	05.969.02	SCREW	1
4	180138	LH ROLLER PLATE	1
5	180139	RH ROLLER PLATE	1
6	040000D	ROLLER CLAMP PLATE	2
7	180142	ROLLER PLATE BUSH	2
8	2770534	M16 X 55 CSK SKT BOLT	2
9	2770423	M16 X 60 BOLT	2
10	2770454	M16 FLAT WASHER	4
11	2770447	M16 NYLOCK	4
12	2770347	M12 X 80 SKT BOLT	4
13	2770417	M12 NYLOC	4
14	2770467	M6 GREASE NIPPLE	2

Spearhead MP 2 Flail Head

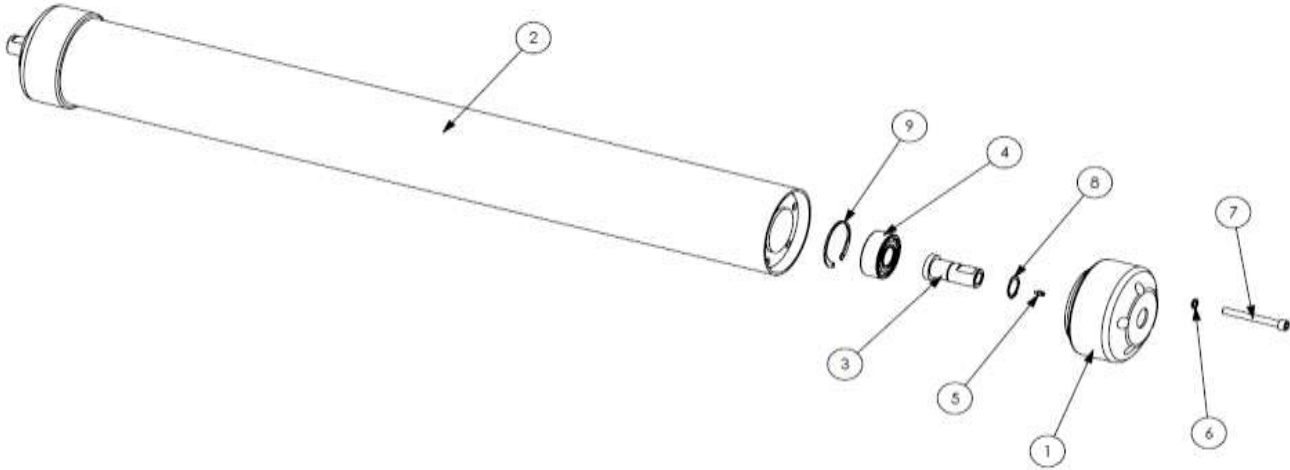
FRONT HOOD ASSEMBLY – S180016.40



REF.	PART NO. 1.2	DESCRIPTION.	QTY.
1	180467	Front hood	1
2	1777398	Retaining strip	1
3	8400204	Rubber flap	1
4	2770258	Bolt m12 x 35 cup	2
5	2770436	Washer m12	2
6	2770417	Nut m12	2
7	2770396	Bolt m10 x 35	5
8	2770434	Washer m10	5
9	2770412	Nut m10	5

Spearhead MP 2 Flail Head

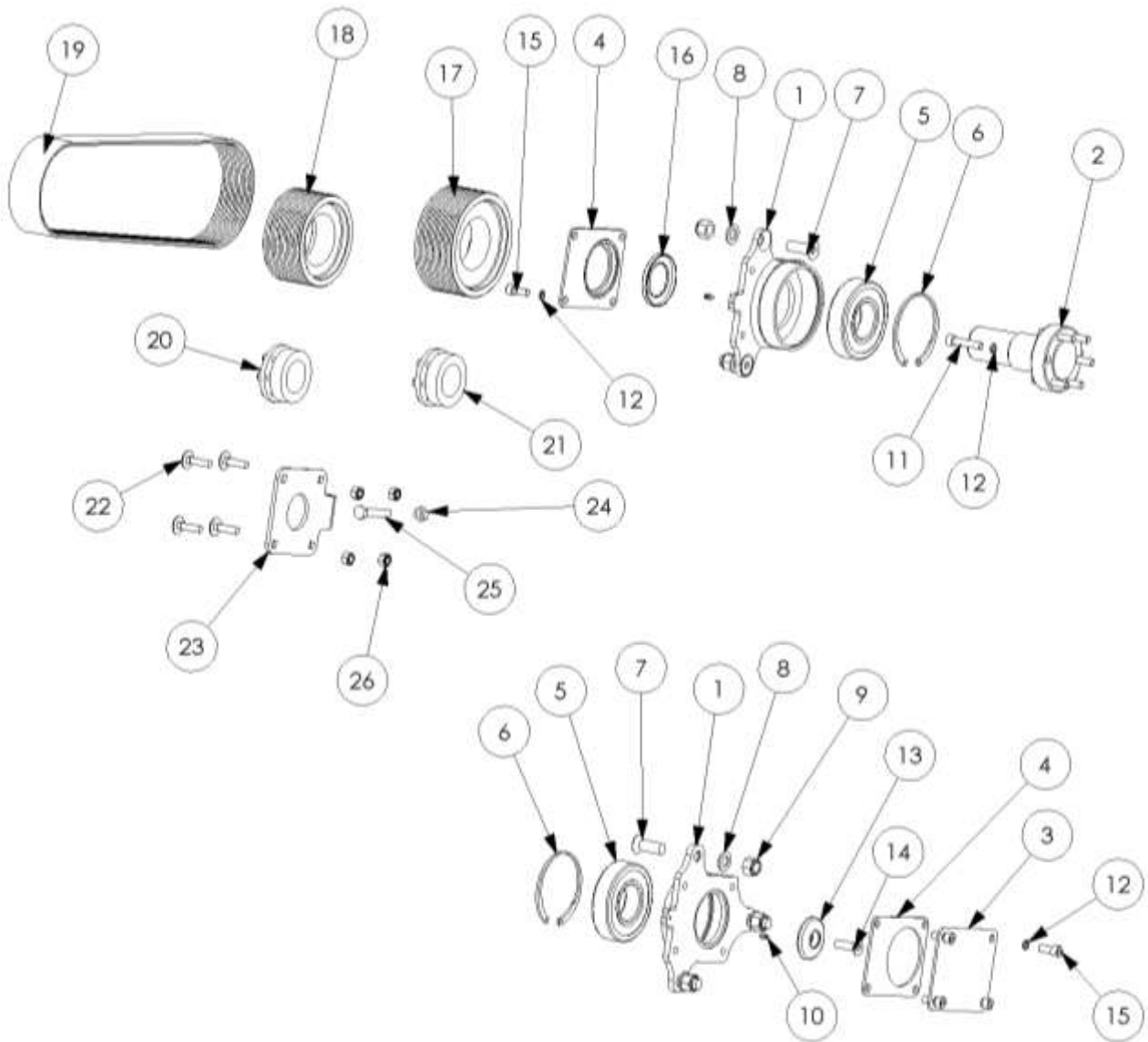
ROLLER – SI800I2.64



REF.	PART NO. 1.2	PART NO. 1.5	DESCRIPTION.	QTY.
1	180735		6" ROLLER END CAP	2
2	180902	180903	ROLLER W/ASSY - 1.2M	1
3	180785		ROLLER STUB SHAFT	2
4	4771608		BEARING - ROLLER SHAFT	2
5	2770467		M6 GREASE NIPPLE	2
6	2770469		M10 SPRING WASHER	10
7	2770482		M10 X 90 SKT CAPSCREW	10
8	2777519		CIRCLIP - CONSIGNMENT	2
9	2771108		CIRCLIP - CONSIGNMENT	2

Spearhead MP 2 Flail Head

DRIVE ASSEMBLY – S180016.81



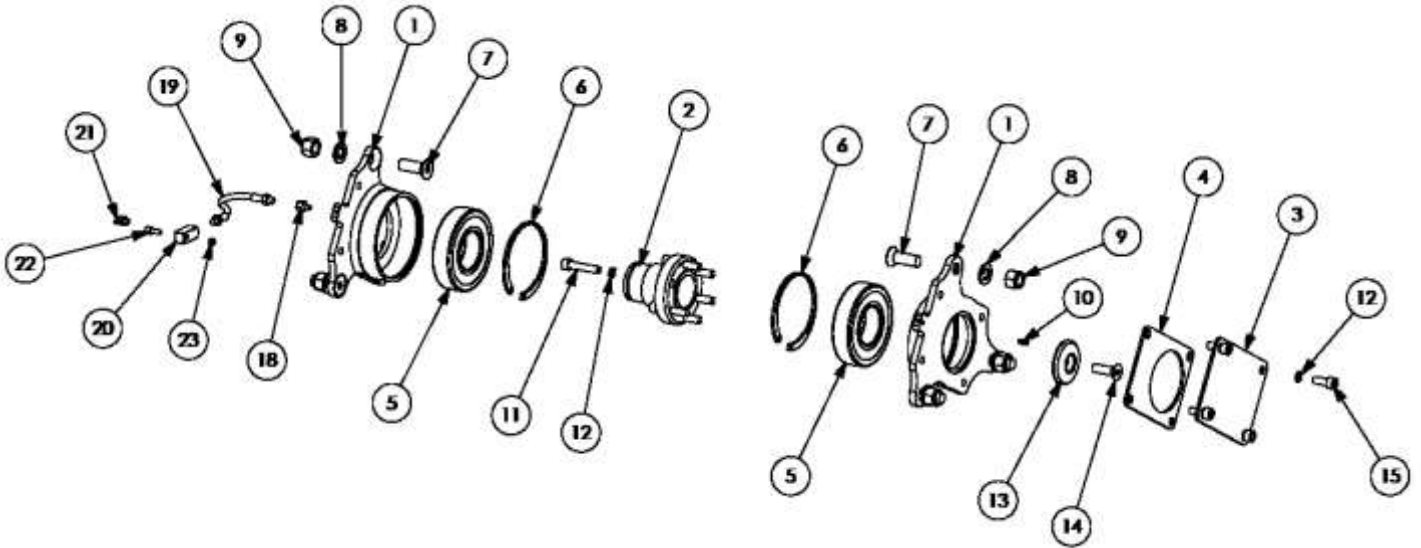
Spearhead MP 2 Flail Head

DRIVE ASSEMBLY – S180016.8I

REF.	PART NO.	DESCRIPTION.	QTY.
1	180468	BEARING HOUSING	2
2	1800197	STUB SHAFT	1
3	180472	COVER PLATE	1
4	180155	SEAL MOUNT PLATE	1
5	0600018	BEARING	2
6	7190022	CIRCLIP	2
7	2770461	M16 X 45 SKT BOLT	6
8	2770454	M16 FLAT WASHER	6
9	2770447	M16 NYLOC	6
10	2770467	M6 GREASE NIPPLE	2
11	2772293	M10 X 50 SKT BOLT	6
12	2770469	M10 SPRING WASHER	14
13	1777208	RETAINING WASHER	1
14	2770398	M12 X 40 CSK SKT BOLT	1
15	2770556	M10 X 25 SKT BOLT	8
16	4771511	SEAL	1
17	4770948	160 V PULLEY	1
18	4770946	140 V PULLEY	1
19	4770971	MULTI BELT	1
20	4770922	PULLEY CLAMP	2
22	9293085	M10 X 40 COACH BOLT	4
23	180795	PULLY SUPPORT CLAMP	1
24	2770536	M12 NUT	1
25	2770382	M12 X 70 BOLT (10.9)	1
26	2770412	M10 NYLOC	4

Spearhead MP 2 Flail Head

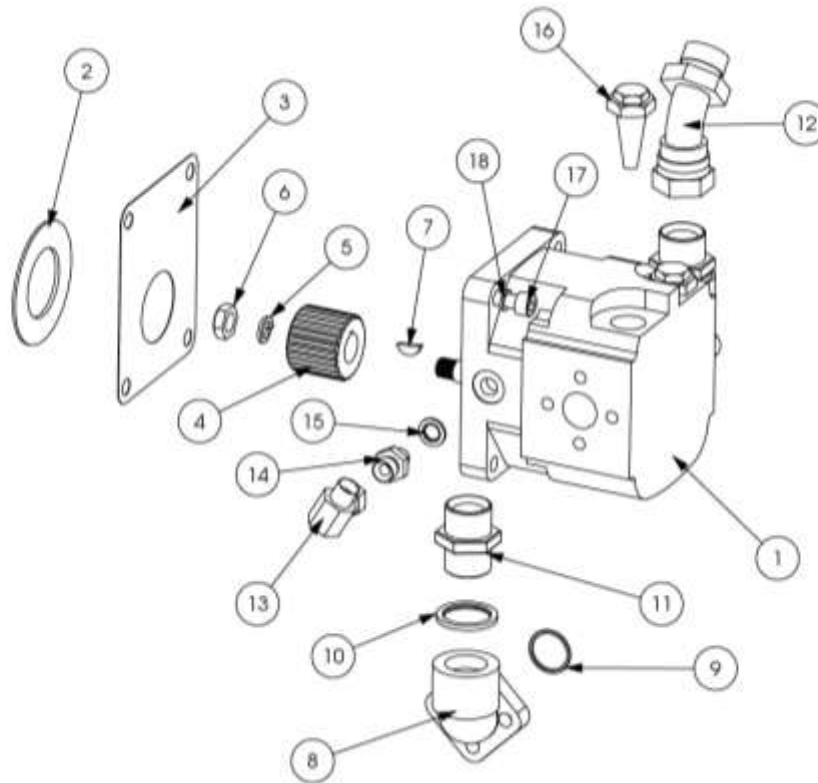
BEARING HOUSING ASSEMBLY DIRECT DRIVE – S180016.93



REF.	PART NO.	DESCRIPTION.	QTY.
1	180468	Bearing housing	2
2	1777975	Drive coupling	1
3	180472	Cover Plate	1
4	180077	Spacer plate	1
5	0600018	Bearing	2
6	7190022	Circlip	2
7	2770461	Bolt csk m16 x 45	6
8	2770454	Washer m16	6
9	2770447	Nut M16	6
10	2770467	Grease nipple	3
11	2770293	Bolt skt m10 x 50	4
12	2770469	Spring washer m10	8
13	1777208	Washer	2
14	2770398	Csk Skt Bolt m12 x 40	1
15	2770556	Bolt skt m10 x 25	4
16	7191098	Shim 1.5mm	4
17	7191099	Shim 2.5mm	2
18	2772315	Adaptor	1
19	2772305	Grease Pipe	1
20	2772301	Anchor Block	1
21	01.070.04	Grease Nipple	1
22	2770613	Bolt skt cap m6 x 35	1
23	2770373	Nut m6	1

Spearhead MP 2 Flail Head

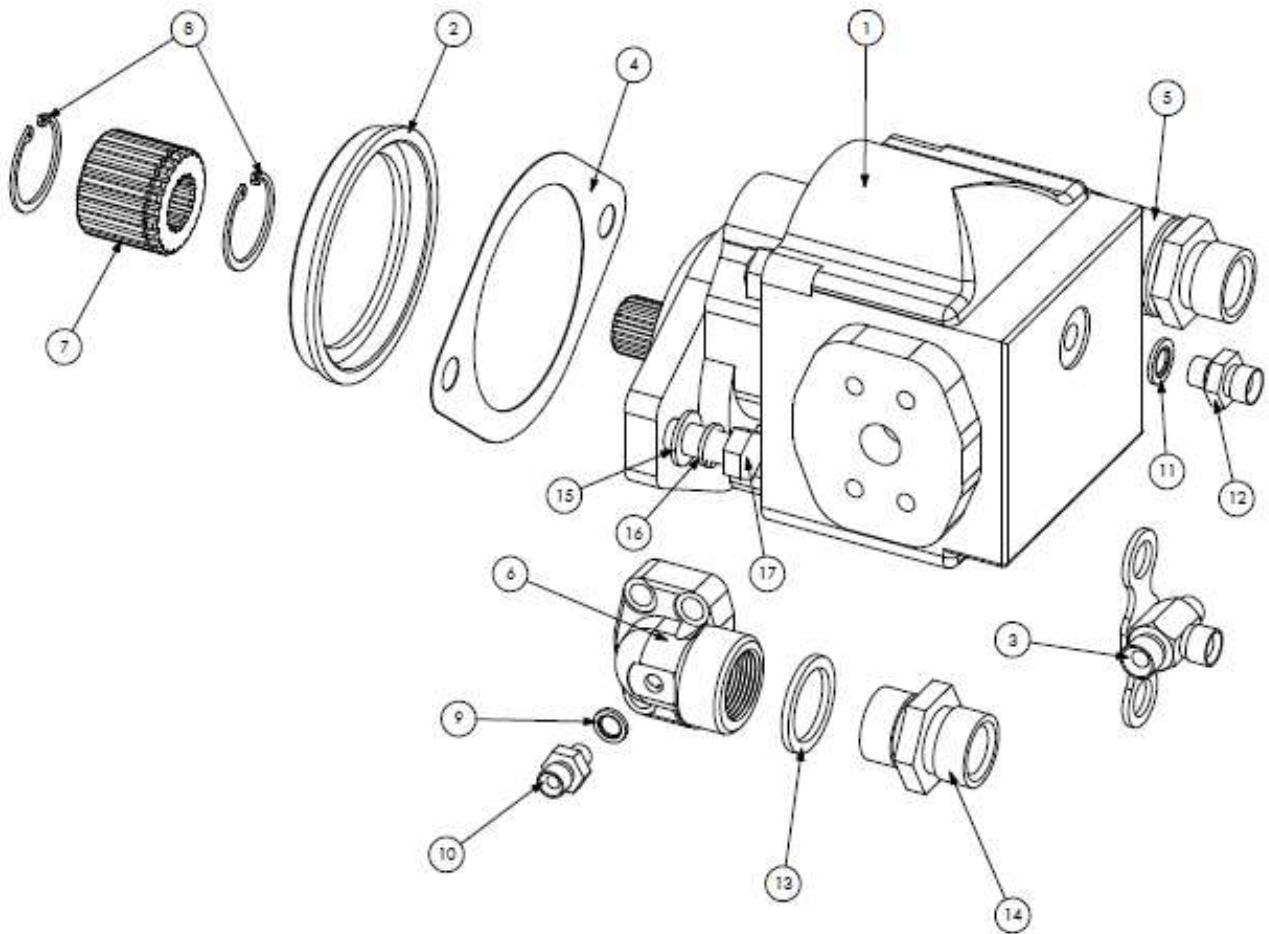
LP MOTOR – S180016.44



REF.	PART NO.	DESCRIPTION.	QTY.
1	3151034	Motor	1
2	180075	Spigot washer	1
3	3151019	Gasket	1
4	3151028	Splined coupling	1
5	2770457	Nut m14	1
6	2770350	Spring washer m14	1
7	4772226	Key	1
8	3151008	Port elbow	2
9	3261001	O ring	1
10	3260074	Bonded seal 1"	1
11	3360092	Adaptor	1
12	3450156	Elbow 45	1
13	3450157	Elbow 90	1
14	3360083	Adaptor	1
15	3260070	Bonded seal 1/4"	1
16	3610049	Anti cavitation valve	1
17	30.072.28	Bolt skt m10 x 40	4
18	2770469	Spring washer m14	4

Spearhead MP 2 Flail Head

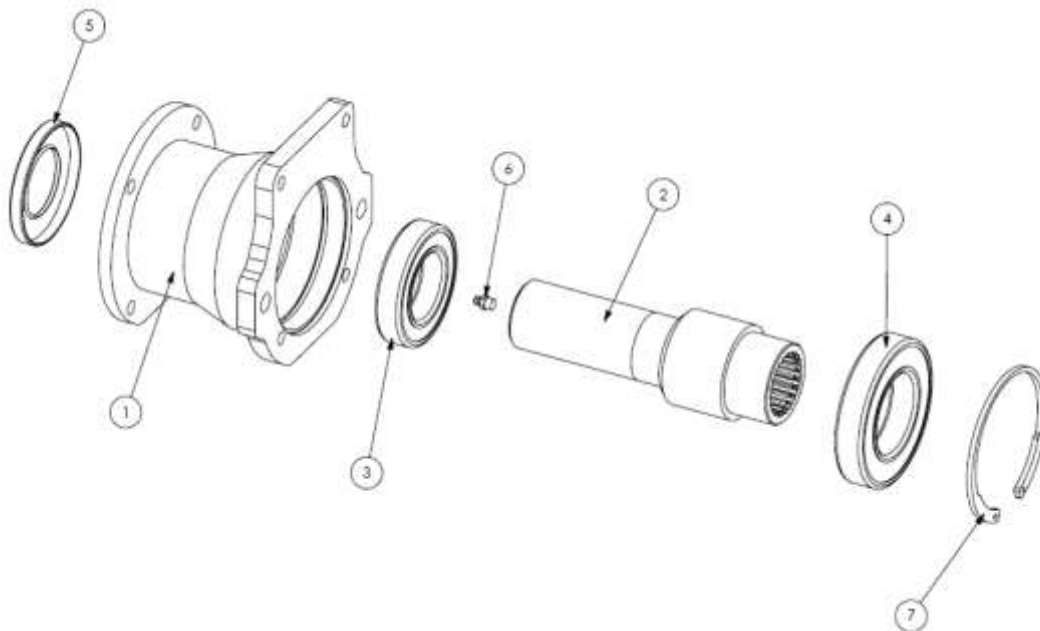
HP MOTOR – S180018.27



REF NO.	PART NO.	QTY.	DESCRIPTION
1	3151091	1	MOTOR
2	180804	1	SPIGOT WASHER
3	180807	1	RETURNS TEE
4	3151032G	1	GASKET
5	3151097	1	3/4" PORT ELBOW
6	3151100	1	3/4" PORT ELBOW WITH 1/8" PORT
7	3151083	1	SPLINED BUSH
8	2777522	2	CIRCLIP
9	3260069	1	1/8" BONDED SEAL
10	3250150	1	1/8"-1/4" M-M
11	3260070	1	1/4" BONDED SEAL
12	3360083	1	1/4"-3/8" M-M
13	3260074	2	1" BONDED SEAL
14	3360092	2	1" M-M
15	2770455	2	M14 FLAT WASHER
16	2770457	2	M14 SPRING WASHER
17	2770453	2	M14 X 35 BOLT

Spearhead MP 2 Flail Head

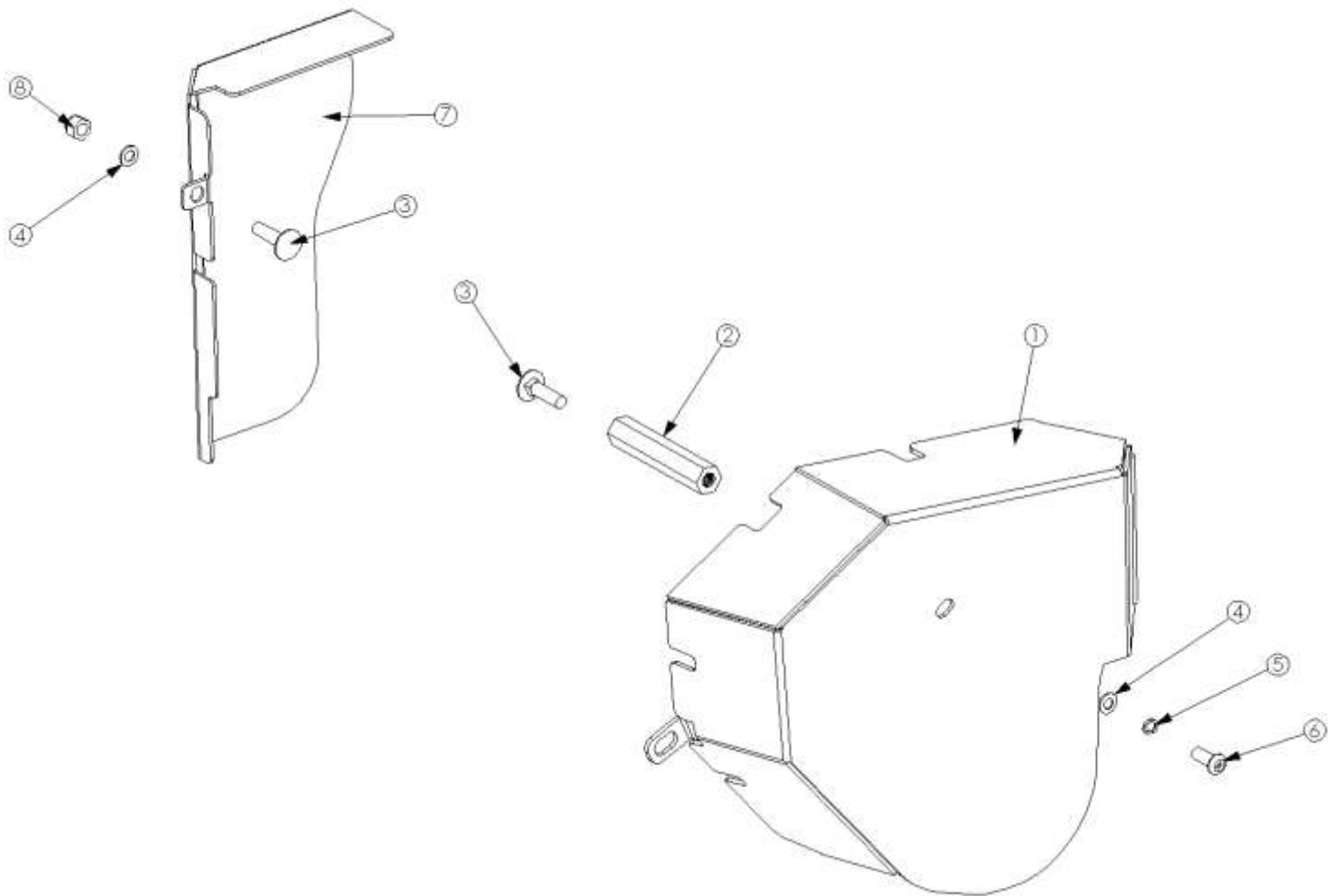
Pulley Supports SI80018.25



REF.	PART NO.	DESCRIPTION.	QTY.
1	180792	PULLEY SUPPORT BEARING	1
2	180793	PULLEY STUB SHAFT	1
3	4771607	BEARING-PULLEY SUPPORT	1
4	4771611	BEARING: 60X110X22MM	1
5	3570678	OIL SEAL: 50X90X10MM	1
6	2770468	M8 GREASE NIPPLE	1
7	05.959.25	CIRCLIP - 110DIA INTERNAL	1

Spearhead MP 2 Flail Head

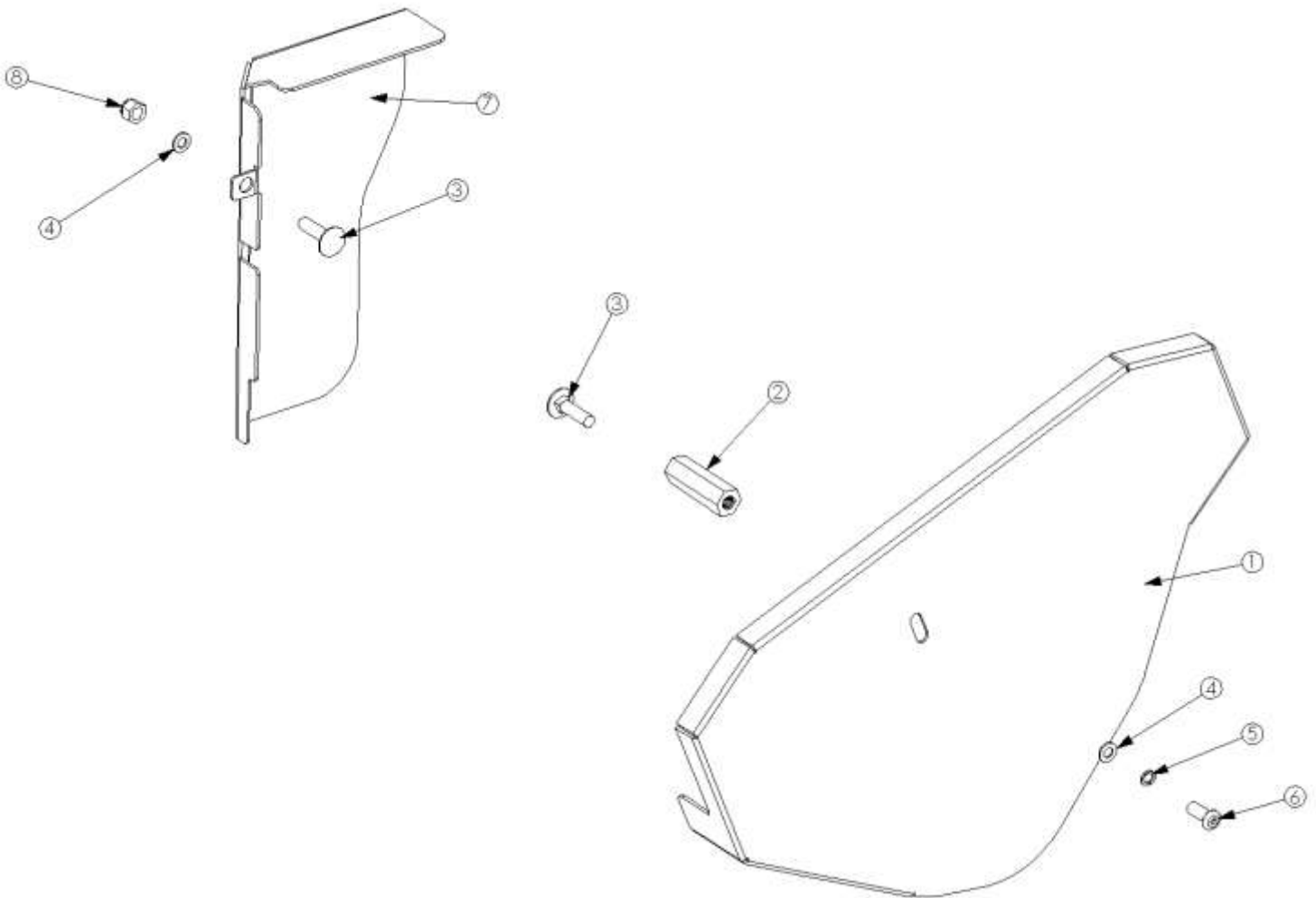
Direct Drive Guard with Hydraulic Roller LH SI80016.71
 Direct Drive Guard with Hydraulic Roller RH SI80016.72



REF.	PART NO.	DESCRIPTION.	QTY.
1	180143	MOTOR GUARD LH	1
1	180144	MOTOR GUARD RH	1
2	180475	GUARD MOUNTING PIN	2
3	2770440	M12 X 50 COACH BOLT	3
4	2770442	M12 SPRING WASHER	3
5	2770436	M12 FLAT WASHER	2
6	05.625.10	M12 X 30 SKT BOLT	2
7	180140	RAM GUARD LH	1
7	180141	RAM GUARD RH	1

Spearhead MP 2 Flail Head

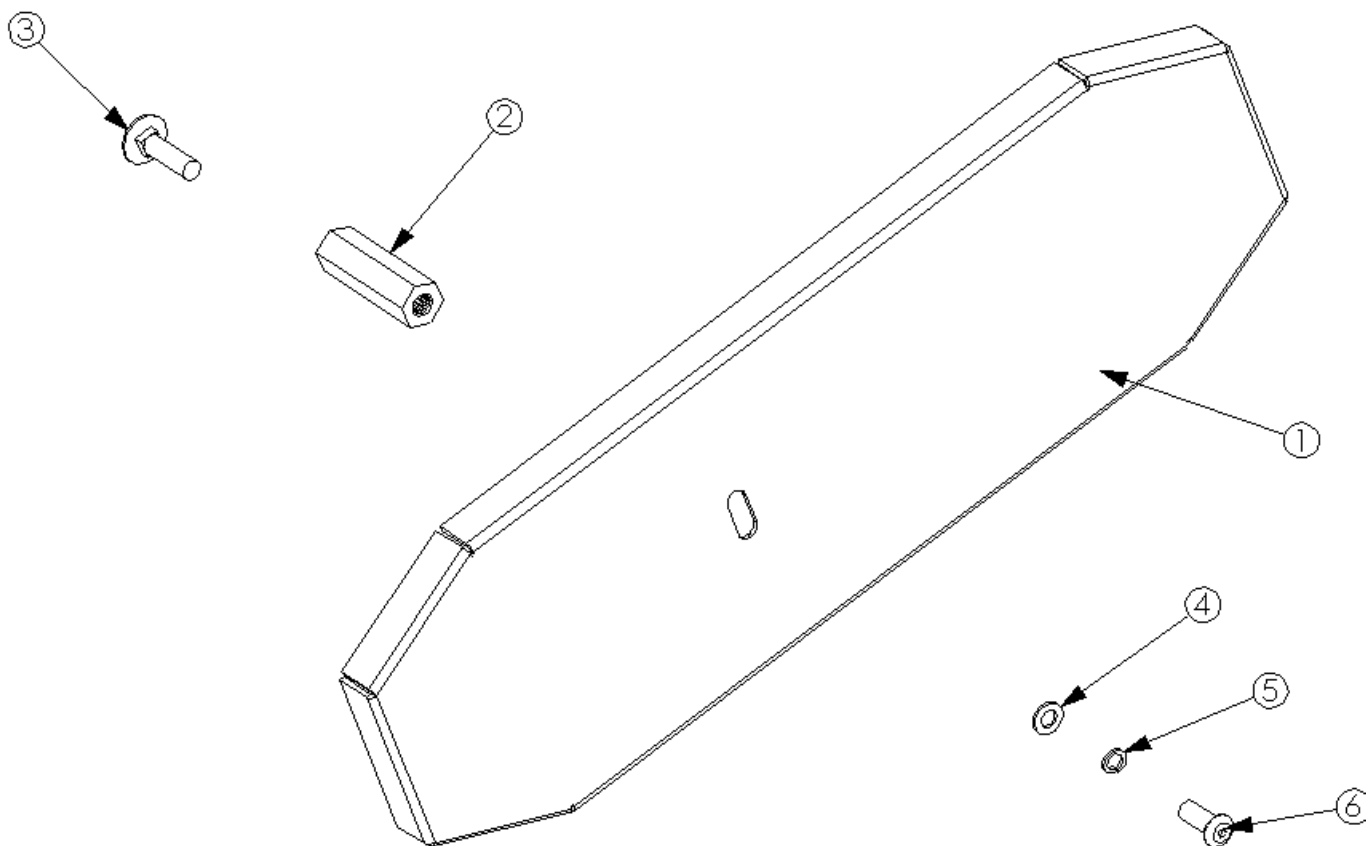
Belt Drive Guard with Hydraulic Roller LH SI80016.73
 Belt Drive Guard with Hydraulic Roller RH SI80016.74



REF.	PART NO.	DESCRIPTION.	QTY.
1	180152	MOTOR GUARD LH	1
1	180154	MOTOR GUARD RH	1
2	180999	GUARD MOUNTING PIN	2
3	2770440	M12 X 50 COACH BOLT	3
4	2770442	M12 SPRING WASHER	3
5	2770436	M12 FLAT WASHER	3
6	05.625.10	M12 X 30 SKT BOLT	2
7	180140	RAM GUARD LH	1
7	180141	RAM GUARD RH	1

Spearhead MP 2 Flail Head

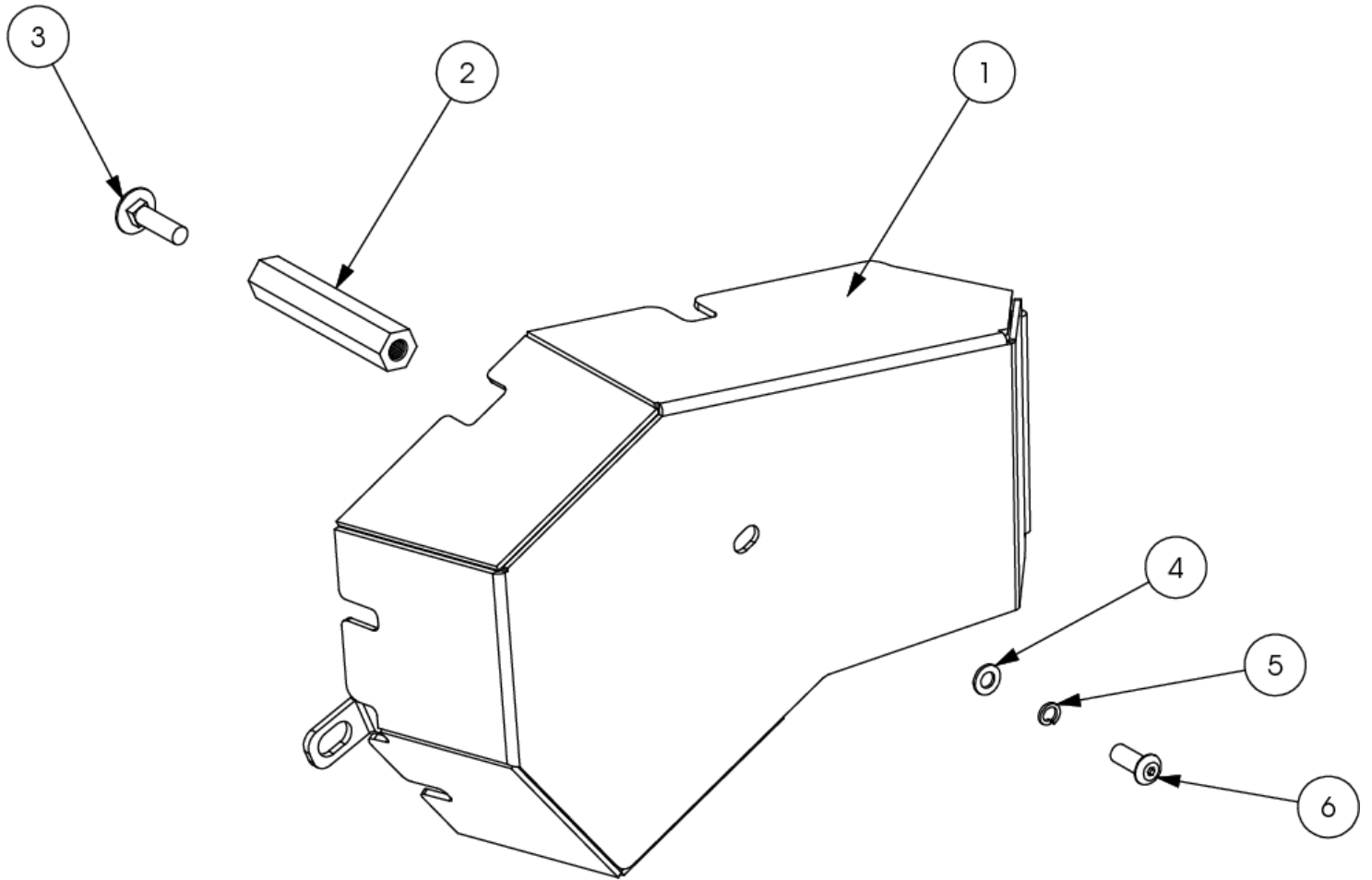
Belt Drive Guard – SI800I6.80



REF.	PART NO.	DESCRIPTION.	QTY.
1	180153	GUARD	1
2	180999	GUARD MOUNT PIN	1
3	2770440	M12 X 50 COACH BOLT	1
4	2770442	M12 SPRING WASHER	1
5	2770436	M12 FLAT WASHER	1
6	05.625.10	M12 X 30 SKT BOLT	1

Spearhead MP 2 Flail Head

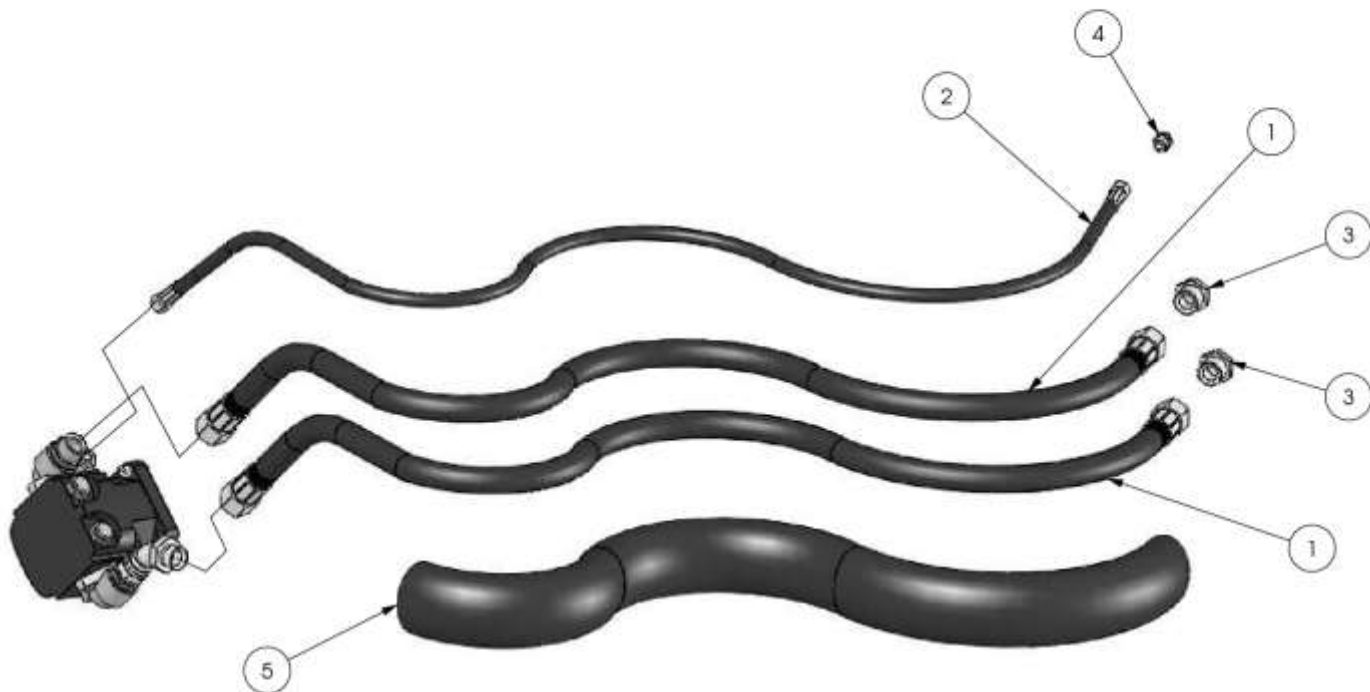
Direct Drive Guard LH – S180016.42
 Direct Drive Guard RH – S180016.43



REF.	PART NO.	DESCRIPTION.	QTY.
1	180136	GUARD LH	1
1	180137	GUARD RH	1
2	180475	GUARD MOUNT PIN	1
3	2770440	M12 X 50 COACH BOLT	1
4	2770442	M12 SPRING WASHER	1
5	2770436	M12 FLAT WASHER	1
6	05.625.10	M12 X 30 SKT BOLT	1

Spearhead MP 2 Flail Head

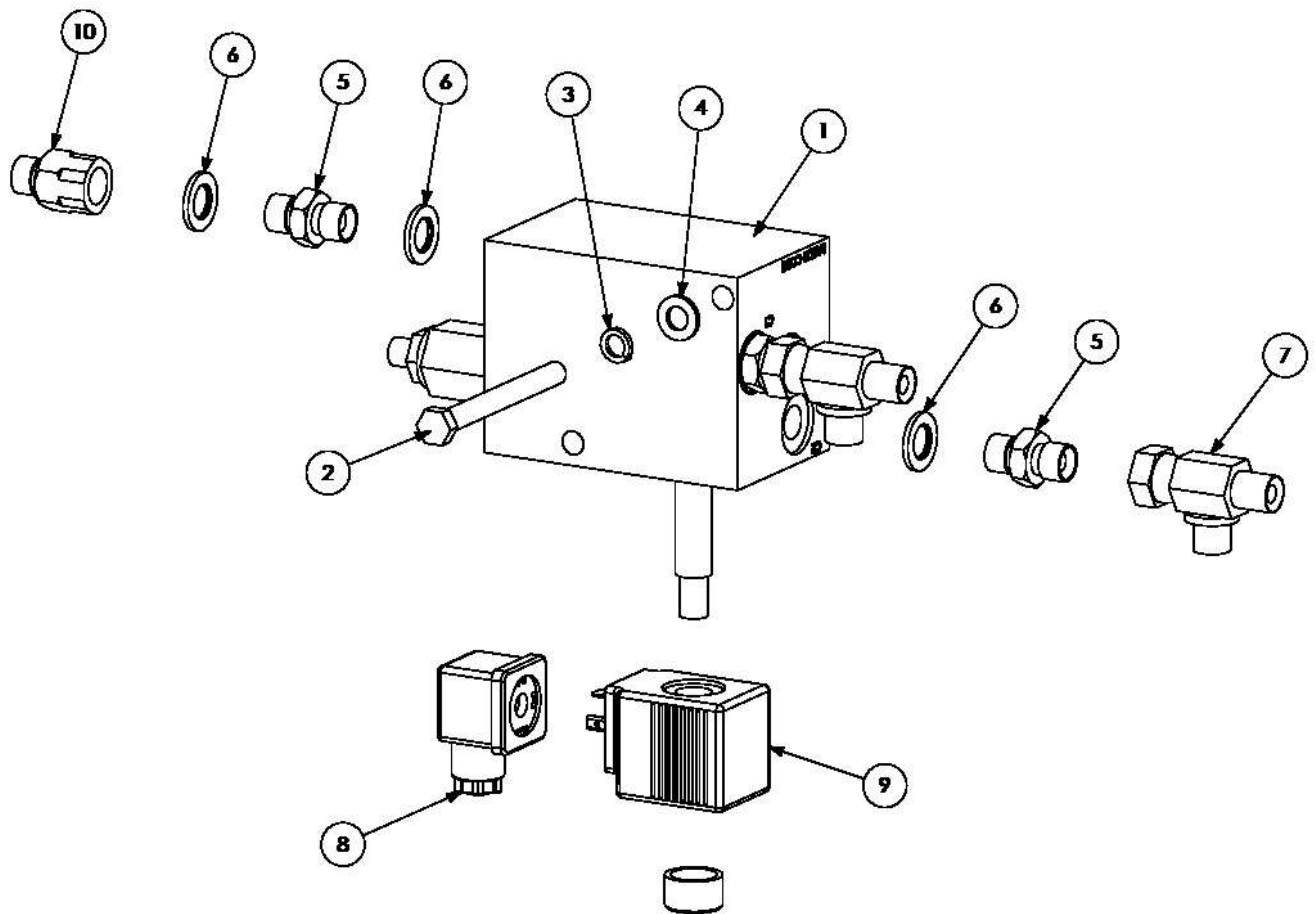
HOSE KIT – SI800I6.52



REF.	PART NO. 1.2M	PART NO. 1.5M	DESCRIPTION.	QTY. 1.2M	QTY. 1.5M
1	3750705.01		Hose	2	2
2	3750705.02		Hose	1	1
3	05.443.03		Male Blank	2	2
4	3460110		Male Blank	1	1
5	43542.08		Hose Sleeve	1	1
	8770768		Cable tie purple	1	1
	8770769		Cable tie red	1	1

Spearhead MP 2 Flail Head

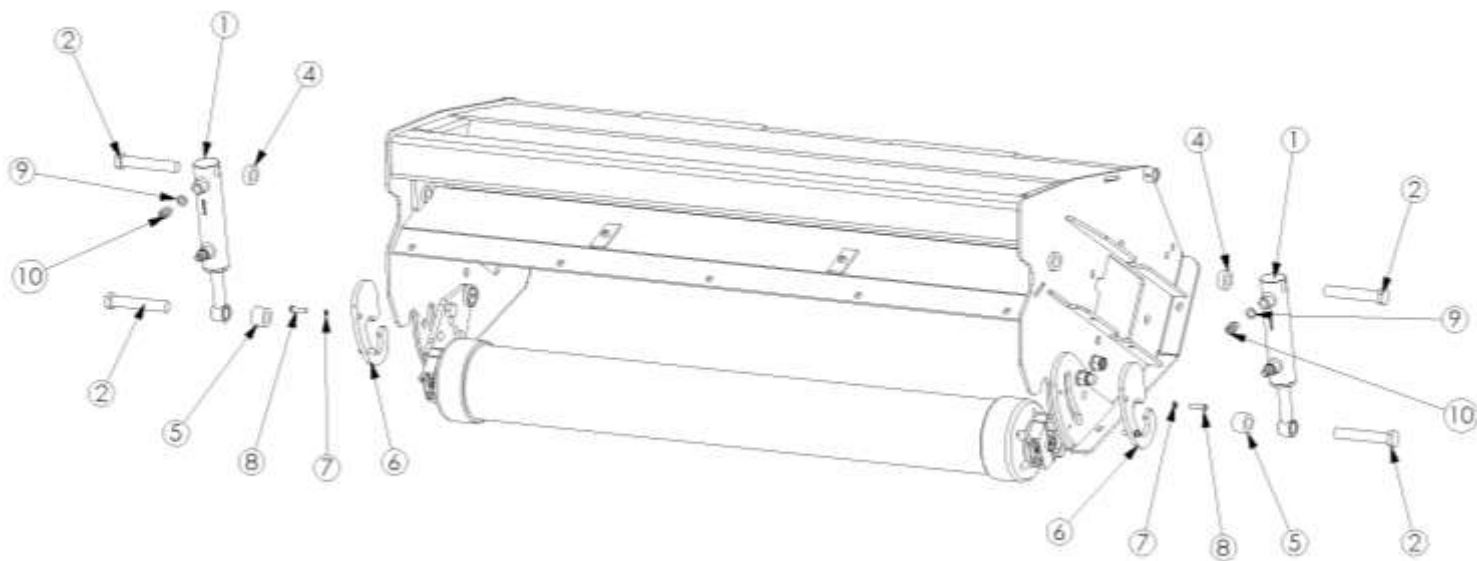
HYDRAULIC ROLLER VALVE – S180016.98



REF NO.	PART NO.	QTY.	DESCRIPTION
1	3610082	1	VALVE ASSEMBLY
2	05.291.09	2	M8 X 70 BOLT
3	2770433	2	M8 SPRING WASHER
4	2770432	2	M8 FLAT WASHER
5	3360080	4	1/4" M-M
6	3260070	4	1/4" BONDED SEAL
7	3460300	2	1/4" TEE
8	3610048	0	DIN CONNECTOR
9	3610030A	0	COIL
10	3250148	1	1/4" FIXED RISER

Spearhead MP 2 Flail Head

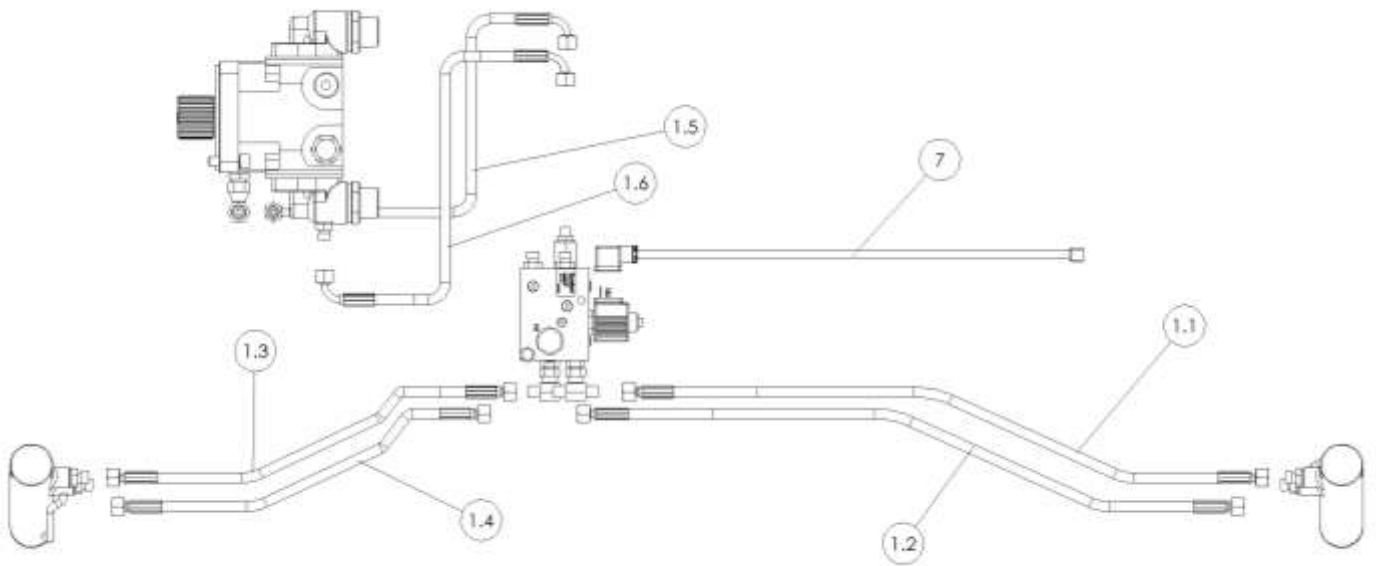
Hydraulic Roller Kit – SI80016.75



REF.	PART NO.	DESCRIPTION.	QTY.
1	3580664WH	ROLLER RAM	2
2	2772309	PIN	4
4	180062	SPACER	2
5	1778062	SPACER	2
6	180145	HEIGHT PLATE	2
7	2770433	M8 SPRING WASHER	4
8	2770368	M8 X 30 SKT BOLT	4
9	3260070	1/4 BONDED SEAL	4
10	3360080	1/4 M – M ADAPTOR	4

Spearhead MP 2 Flail Head

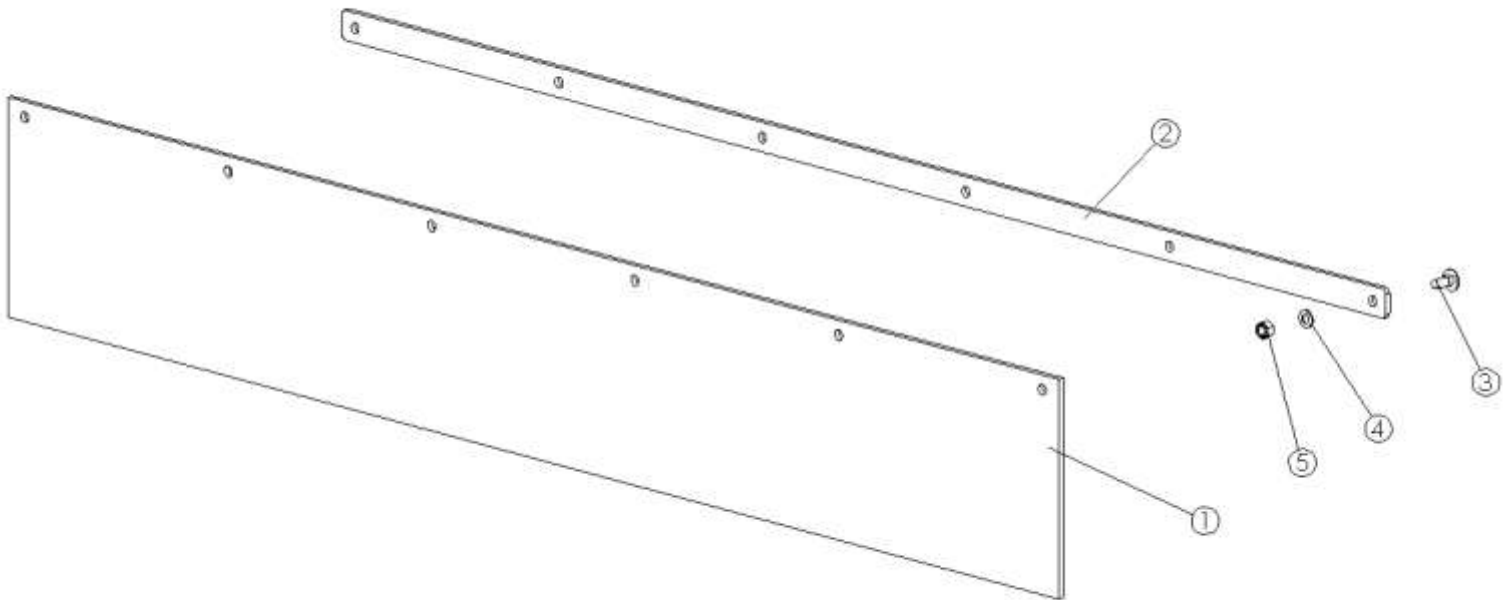
Hydraulic Roller Hose Kit – SI80016.76



REF.	PART NO.	DESCRIPTION.	QTY.
1.1	3750720.01	HOSE	1
1.2	3750720.01	HOSE	1
1.3	3750720.01	HOSE	1
1.4	3750720.01	HOSE	1
1.5	3750720.01	HOSE	1
1.6	3750720.01	HOSE	1
7	8770654	CABLE	1

Spearhead MP 2 Flail Head

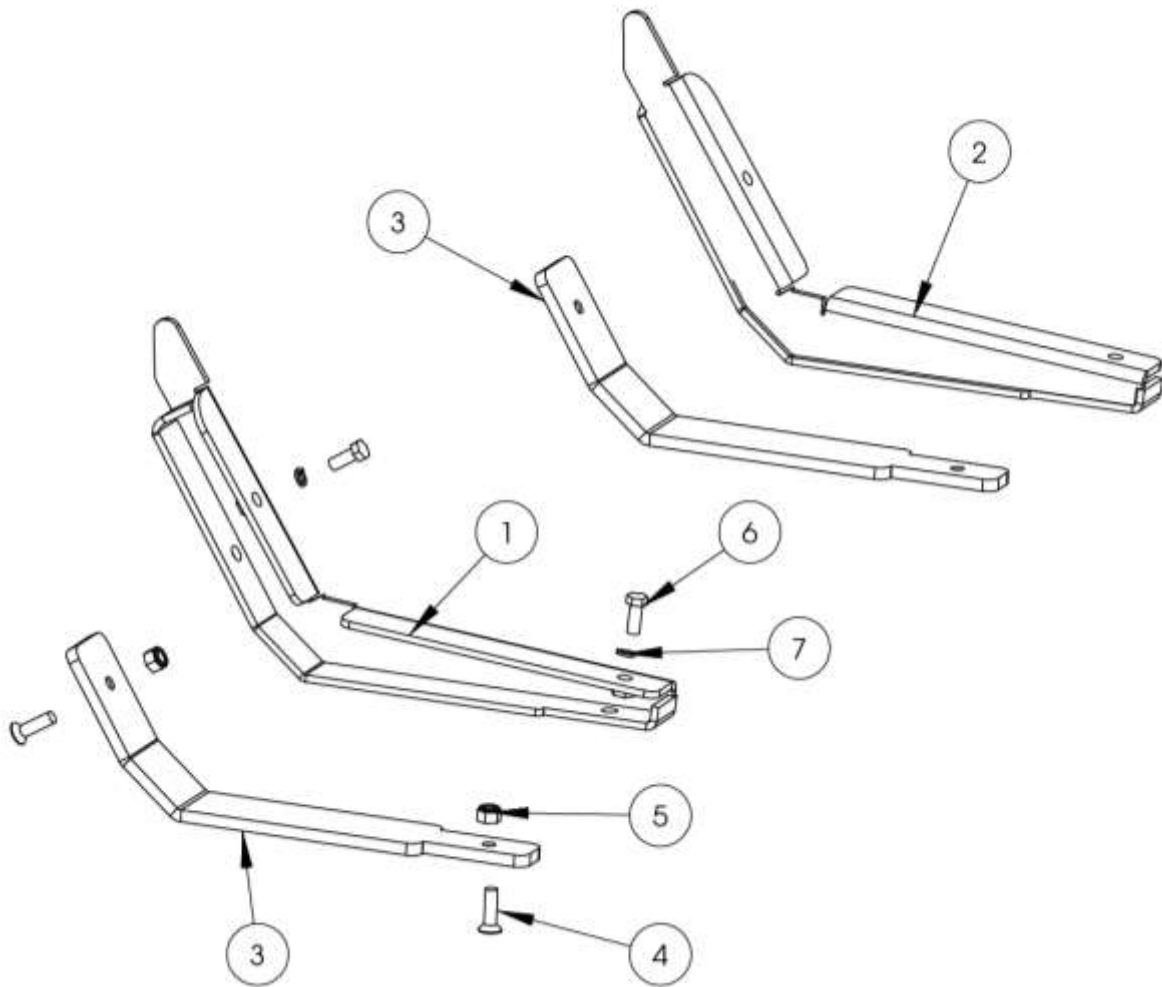
Rear Flap - SI800I2.06



REF.	PART NO.	DESCRIPTION.	QTY.
1	8400207B	RUBBER FLAP	1
2	1777396	RETAINING STRIP	1
3	2770615	M10 X 35 COACH BOLT	6
4	2770343	M10 FLAT WASHER	6
5	2770412	M10 NYLOC	6

Spearhead MP 2 Flail Head

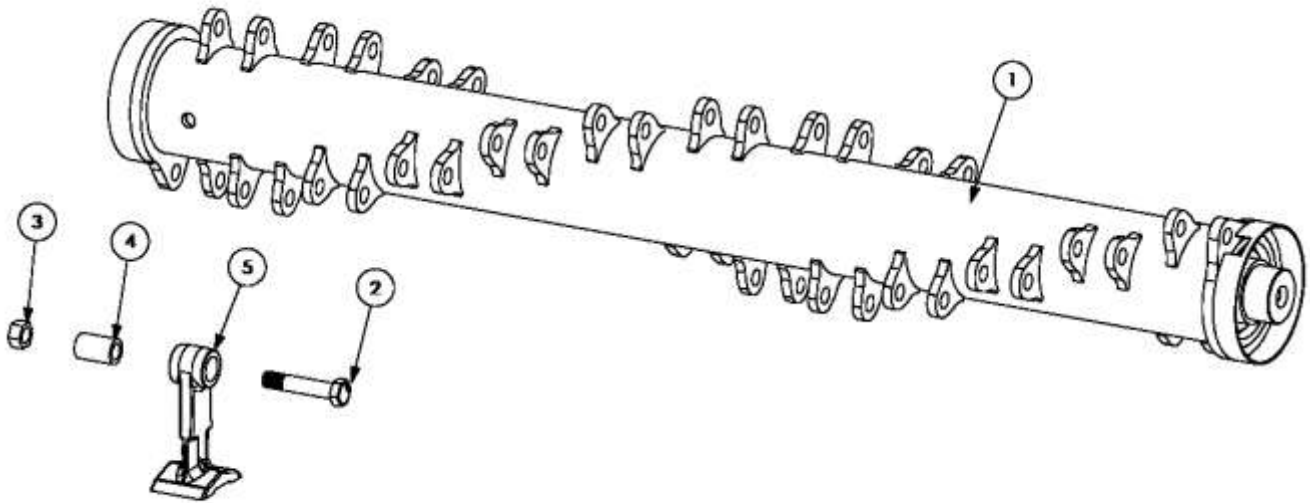
Side Skid Kit – SI80016.85



REF.	PART NO.	DESCRIPTION.	QTY.
1	180150	LH SIDE PLATE	1
2	180151	RH SIDE PLATE	1
3	180149	SKID	2
4	2770509	M10 X 40 CSK BOLT	4
5	2770412	M10 NYLOC	4
6	2770407	M10 X 25 BOLT	4
7	2770469	M10 SPRING WASHER	4

Spearhead MP 2 Flail Head

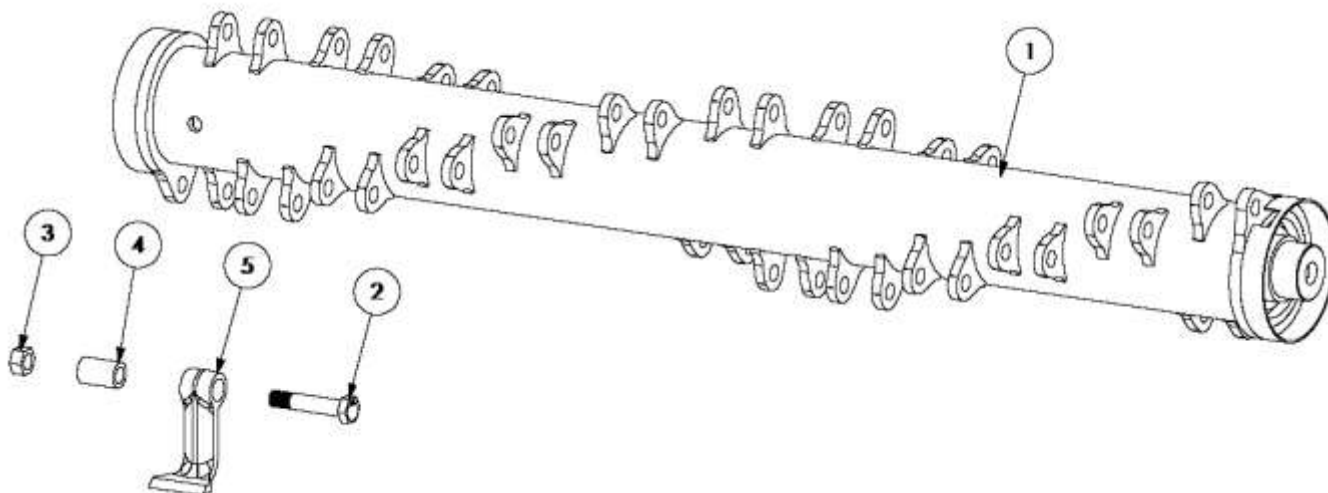
T Flail Rotor Assembly SI80016.46



REF.	PART NO.	DESCRIPTION.	QTY.
	180130	ROTOR AND FLAIL ASSY	1
1	180130-WA	MP2 ROTOR WELDED ASSY	1
2	T7943	FLAIL BOLT M16X80MM	24
3	05.968.04	S.LOCKING NUT M16	24
4	184.106	SPACER	24
5	1840093C	T FLAIL	24

Spearhead MP 2 Flail Head

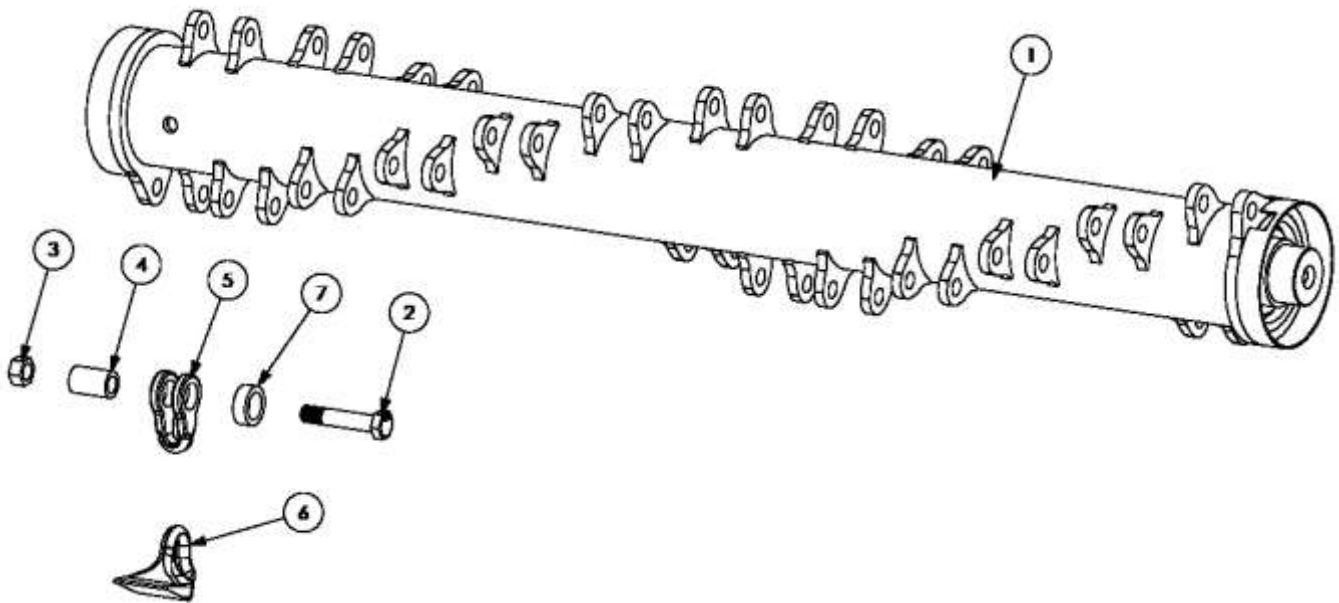
C Flail Rotor Assembly S180016.47/48



REF.	PART NO. 1.2m	DESCRIPTION.	QTY. 1.2m
	180131	LH ROTOR AND FLAIL ASSY	1
	180132	RH ROTOR AND FLAIL ASSY	1
1	180130-WA	MP2 ROTOR WELDED ASSY	1
2	T7943	FLAIL BOLT M16X80MM	24
3	05.968.04	S.LOCKING NUT M16	24
4	180808	SPACER	24
5	7198390	C FLAIL	24

Spearhead MP 2 Flail Head

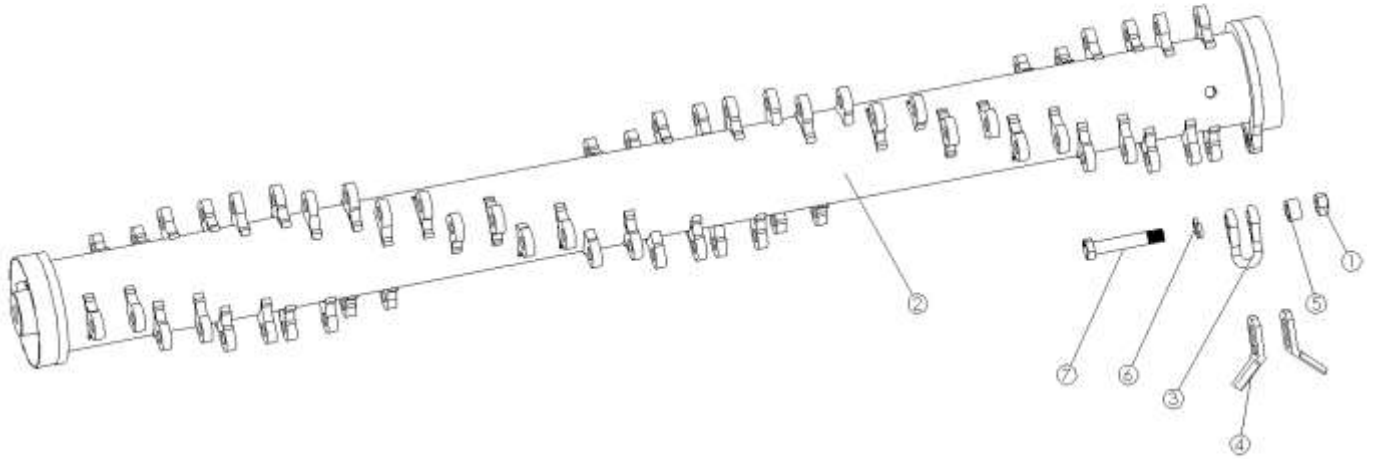
Boot Flail Rotor Assembly SI80016.49/50



REF.	PART NO. 1.2m	DESCRIPTION.	QTY. 1.2m
	180133	LH ROTOR AND FLAIL ASSY	1
	180134	RH ROTOR AND FLAIL ASSY	1
1	180130-WA	MP2 ROTOR WELDED ASSY	1
2	T7943	FLAIL BOLT M16X80MM	24
3	05.968.04	S.LOCKING NUT M16	24
4	184.106	SPACER	24
5	7190175	SHACKLE	24
6	09.902.01	FLAIL BLADE BOOT	24
7	7190172	SPACER	24

Spearhead MP 2 Flail Head

Back To Back Flail Rotor Assembly SI80016.I2



REF.	PART NO. 1.2m	DESCRIPTION.	QTY. 1.2m
	180495	ROTOR AND FLAIL ASSY	1
1	05.968.04	S.LOCKING NUT M16	28
2	180471-WA	MP2 ROTOR WELDED	1
3	PS9902007	SHACKLE	28
4	7190166	FLAIL	56
5	180118	SPACER	28
6	2770456	SPRING WASHER	56
7	2770631	FLAIL BOLT	28

Spearhead MP 2 Flail Head

DECALS – S180016.93



8770307



8770322



8770306



8770357



8770359



8770360

Spearhead 

8770373

Spearhead Machinery Ltd
Green View
Salford Priors
Evesham
Worcestershire
WR11 8SW
Tel: 01789 491860
Fax: 01789 778683
www.spearheadmachinery.com
enquiries@spearheadmachinery.com